



PROJECT		REF		REV	ITEM CODE	
LOCATION		DATE			PAGE	

SANITARY WARE SPECIFICATION SHEET

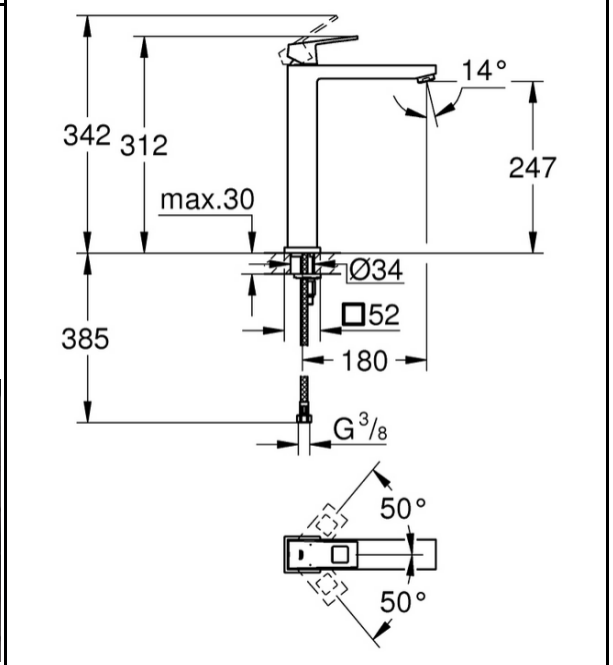
Item Descriptions	GROHE (Germany) "Eurocube" Chrome plated single-lever free stand basin mixer 1/2", XL-Size; nominated flow rate 4.5 L/min in WELS Grade 1; Registration No. TM 21-0071
Dimensions	L180 x W52 x H342 mm
Model	23406000
Finish	Chrome Plated
Country of origin	Germany
Manufacturer	GROHE Limited
Supplier	Acme Sanitary Ware Co. Ltd Mr. Eric Wong/ Mr. Don Yuen
Contact Tel/Fax	(852) 2388-7171 / (852) 2710-8012
E-mail	acme@acmesanitary.com.hk
Website	www.acmesanitary.com.hk

Illustration/ Drawing

"Eurocube"
Single-lever basin mixer 1/2", XL-Size

- single hole installation
- metal lever
- for free-standing basins
- **GROHE SilkMove** 28 mm ceramic cartridge
- temperature limiter
- **GROHE StarLight** chrome finish
- **GROHE EcoJoy** SpeedClean mousseur 5.7 l/min
- **GROHE QuickFix Plus** installation system
- smooth body
- flexible connection hoses
- min. recommended pressure 1.0 bar

23406DC0 23406AL0



Note:

* All information of the above is for the reference only. No prior notice is made if any changes.



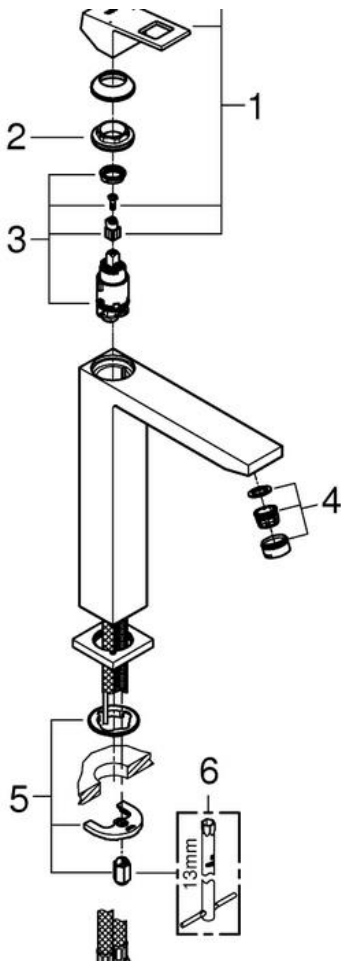
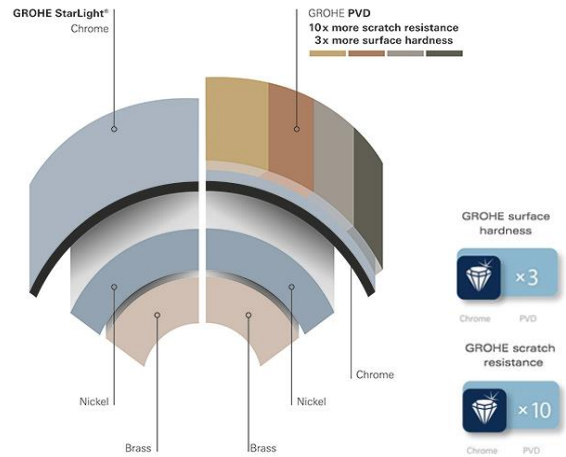
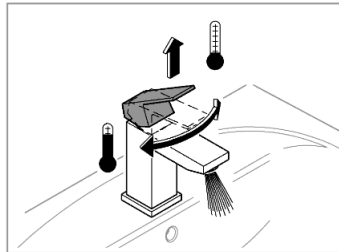
PROJECT		REF		REV	ITEM CODE	
LOCATION		DATE			PAGE	

SANITARY WARE SPECIFICATION SHEET

GROHE EUROCUBE

MAKE A CLEAR STATEMENT

Straightforward, attractive and always focused on the essential. Cosmopolitan life in the teeming city becomes a bit more manageable if you are surrounded by straight lines. The overarching concept of GROHE Eurocube evokes the dynamic lifestyle of busy people and celebrates the dramatic beauty of the cube. Enjoy a bit of clarity.



GROHE EcoJoy with water-saving function for reduced consumption

GROHE EcoJoy reduces water consumption by up to 50% without compromising on performance. Whenever you turn on your tap, you will enjoy a full jet of water while saving money nonetheless.



GROHE QuickFix Plus quick and easy installation in a few simple steps

Save time on the installation of your tap with GROHE QuickFix Plus. Consisting of fewer parts, our new system makes the installation process quicker and easier than ever.



SpeedClean: easy cleaning thanks to silicone nozzle

Indeed, the name says it all: with the SpeedClean technology, you'll have limescale removed from the spout in the blink of an eye thanks to a nozzle made of silicone. A quick wipe with your fingers is all it takes to remove any limescale deposits, saving you a lot of time and effort!



GROHE SilkMove cartridge technology for smooth handling

This premium tap comes with a continuously variable water temperature and volume adjustment technology, ensuring effortless lever operation even after years of use.

Pos.-nr.	Prod. description	Order-nr.
1	Lever	46786000
2	Fitting ring	46715000
3	Cartridge	46580000
4	Mousseur	48159000
5	Shank fastening assembly	46645000
6	Mounting wrench	19017000*

* Optional accessories



Note:

* All information of the above is for the reference only. No prior notice is made if any changes.

註冊號碼 (Registration No.): TM 21-0071



自願參與用水效益標籤計劃 - 水龍頭
Voluntary Water Efficiency Labelling Scheme - Water Taps




茲證明
This is to certify that

將下列水龍頭在本計劃內註冊：
has registered the following water tap under this scheme :

牌子 / Brand	:	Grohe
型號 / Model	:	23406XXX + 64647040
種類 / Type	:	Mixing
原產地 / Country or Region Origin	:	Germany (Mixer & Flow Controller)

XXX – denotes the code of colour

在用水效益標籤上展示的標誌 <i>Symbolic Presentation on the Water Efficiency Label</i>	:		滴水點 <i>Water droplet(s)</i>
用水效益級別 <i>Water Efficiency Grade</i>	:	1	
耗水量 <i>Water Consumption</i>	:	4.5	公升/分鐘 <i>litres/minute</i>

簽發日期：
Date of Issue: 12 March 2021

 水務署
Water Supplies Department



水務署署長(張業駒代行)
for Director of Water Supplies



水務署
Water Supplies Department



Headquarters
香港灣仔道七號入境事務大樓 48 樓
Innovation Tower, 7 Gloucester Road, Wan Chai, Hong Kong

本署指
Our ref. C 3321/2020 T/J(490/2020)
來函檔號
Your ref

電話 :
Tel.
傳真 : 2824 0578
Fax.


29 June 2020



**Approval of "GROHE" Basin Mixer
(General Acceptance No. C20200508)**

Your letters ref. WRC/2216 and C-WSD/0597 dated 4 May 2020 and 5 June 2020 respectively refer.

Having considered the test report ref. J24744A issued on 4 November 2019 by Nutek Systems (HK) Ltd., this Authority accepts that the fitting described below complies with, and its use when correctly installed does not contravene, the Waterworks Ordinance and Regulations.

Name of Manufacturer: Grohe AG
Country of Origin: Germany
Brand: Grohe
Details of Fitting: 3/8" Single lever basin mixer
Model: 23406XXX
(where the digits "XXX" denote the code of colour)
Body Markings: 
Expiry Date: 16 September 2024



This Authority hereby permits the use of the above fitting in fresh water plumbing systems subject to full adherence to Waterworks installation requirements. In particular, you are required to draw your customers' attention to the following requirement-

"The cold water supply to the fitting shall be drawn from the same source that supplies the hot water apparatus so as to provide a balanced pressure and to obviate the risk of scalding in the event of a restriction or failure in the water supply."

A condition of this acceptance is that the fitting to be installed shall be replicas of the sample as certified by the testing agent mentioned above and without modifications. This acceptance may be withdrawn at any time if the standard of the fitting installed fails to meet that of the approved sample or if the fitting is found to be unsuitable for use in fresh water plumbing systems.

This acceptance is only applicable to the main body of the fitting, unless otherwise specified.

For the use of the fitting in any project, the General Acceptance Number of this letter must be quoted as a means of identification of acceptance of the fitting by this Authority.

Should you have any enquiries, please contact our Engineer Mr. Terry KUNG at tel. no. 3583 4086.

Yours faithfully,



(CHAN Chung-kun)

for Director of Water Supplies

Encl.

c.c. WSD 3321/1/82] - without catalogue
ME/MC] - with soft copy only